

GENERAL NOTES

FOUNDATIONS:

THE SOIL BEARING VALUE SHALL NOT BE LESS THAN 2000 PSF. THE BEARING VALUE SHALL BE VERIFIED BY THE G.C. FOOTINGS SHALL BEAR IN UNDISTURBED SOIL. ALL 1'/FOOT. ELEVATIONS ARE TO BE THE SAME UNLESS SHOWN OTHERWISE. IF ELEVATIONS ARE NOT THE SAME, SHADY VENT MUST BE INSTRUCTED OF ELEVATIONS IN WRITING WHEN CANOPY ORDER IS PLACED. FOOTINGS DESIGN COMPLIES W/ACI-318.

REINFORCING STEEL:

ALL DEFORMED BARS SHALL COMPLY w/ASTM A615 Fy=60 AND SHALL BE WIRE TIED AT ALL JOINTS. RUSTY, OILY, OR DIRTY STEEL SHALL NOT BE USED.

ANCHOR BOLTS:

ANCHOR BOLTS MUST BE INSTALLED WITH A TEMPLATE AND WITHIN 1/8-INCH OF MEASUREMENTS OF THE BASE PLATE OR COLUMN WILL NOT FIT. CONCRETE CONTRACTOR IS RESPONSIBLE FOR RECESSING FOOTINGS 10 - INCHES BELOW FINISH GRADE AND FOR EXTENDING ANCHOR BOLTS 5 - INCHES ABOVE FOOTINGS IN ORDER FOR CANOPY TO BE ERECT PROPERLY. ANCHOR BOLTS SHALL BE ASTM A307.

CONCRETE:

ALL CONCRETE SHALL BE 3000 PSI IN 28 DAYS. ALL CONC. SHALL BE PLACED IN ACCORDANCE WITH ACI-318.

STRUCTURAL STEEL:

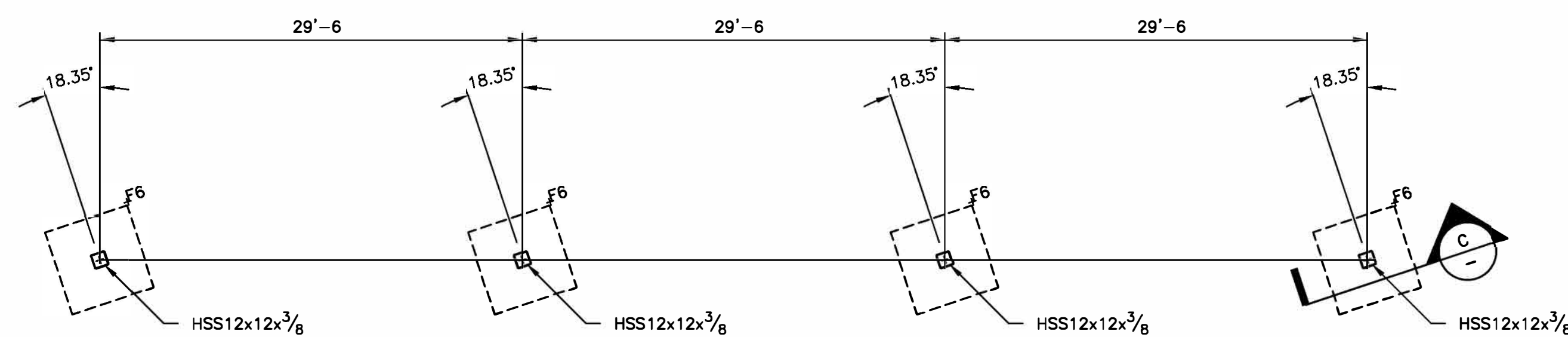
ALL STRUCTURAL STEEL SHALL CONFORM TO ASTM A992 AND SHALL BE IN ACCORDANCE WITH THE LATEST AISC SPECIFICATIONS. TUBE STEEL SHALL BE Fy 46.0 KSI. ALL WELDING SHALL BE IN ACCORDANCE WITH AWS D1.1. PROOF OF WELDERS CERTIFICATION SHALL BE AVAILABLE ON REQUEST. ALL BOLTS SHALL BE IN ACCORDANCE w/ASTM A325.

OTHER CONCRETE ITEMS:

OTHER CONCRETE ITEMS SUCH AS DRIVE THRU SLAB, BUILDING SLAB, PERIMETER FOOTING, AND LOAD BEARING FOOTINGS NOT USED FOR THE CANOPY ARE TO BE AT THE SAME ELEVATION UNLESS SHOWN OTHERWISE. IF ELEVATIONS ARE TO VARY, SHADY VENT MUST BE INSTRUCTED OF ELEVATIONS IN WRITING WHEN ORDER IS PLACED.

FOUNDATION NOTE:

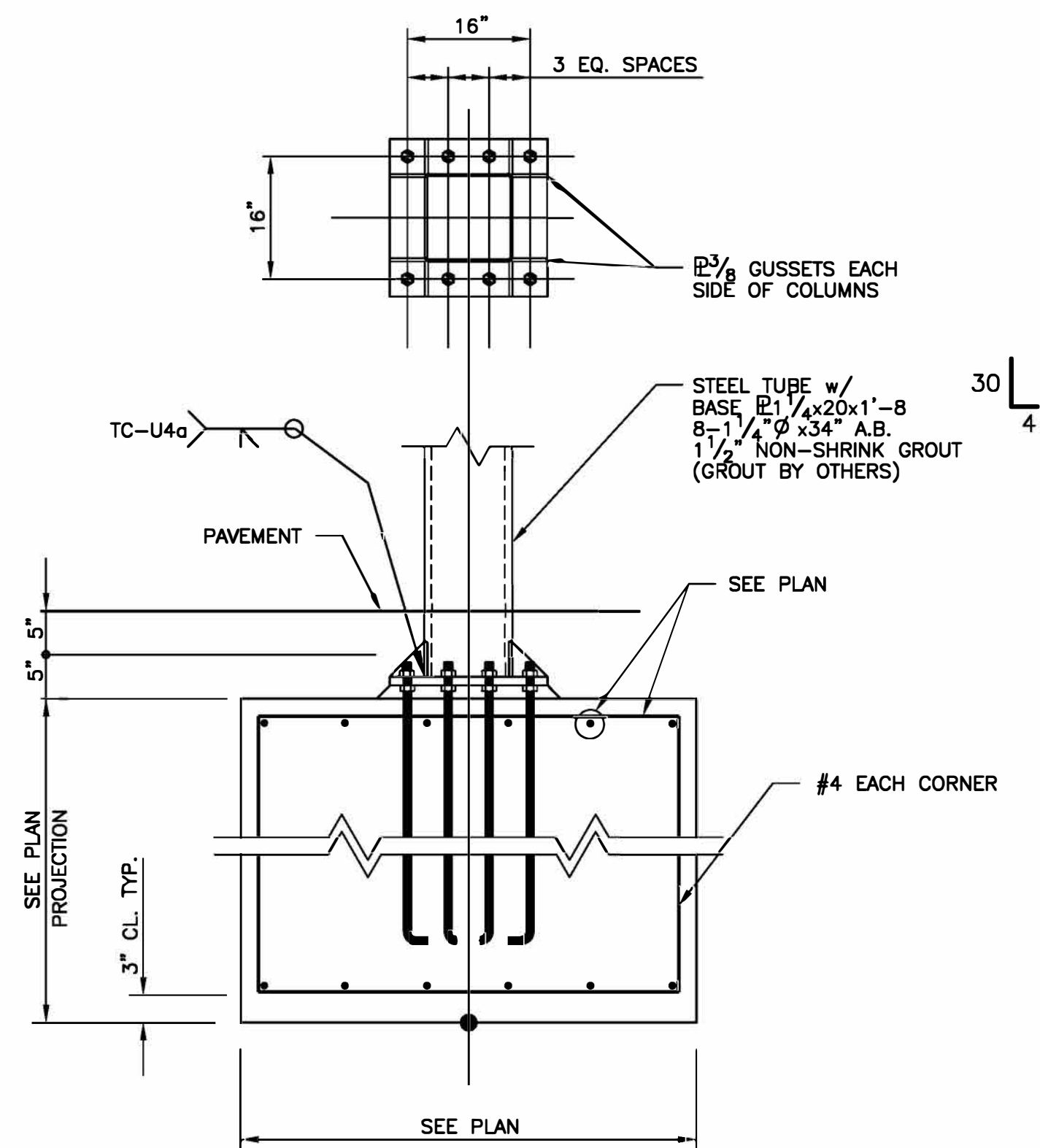
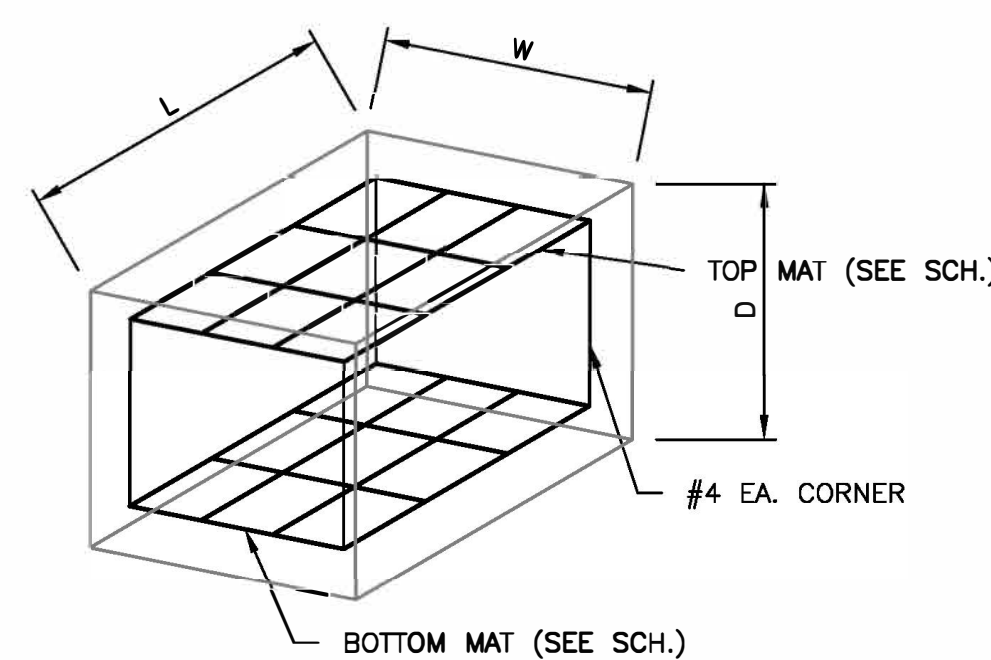
FOOTINGS PROVIDED BY CUSTOMER. SHADY VENT IS NOT RESPONSIBLE OR LIABLE FOR THE USE OF EXIST. FOOTINGS.



FOUNDATION PLAN

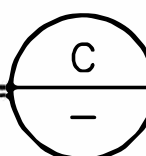
SCALE: 1/8" = 1'-0"

FOOTING SCHEDULE					
MARK	DIMENSIONS: LxWxD	#4 STEEL MAT TOP AND BOTTOM	#5 STEEL MAT TOP AND BOTTOM	#6 STEEL MAT TOP AND BOTTOM	REMARKS
F6	6'-0" x 6'-0" x 6'-0"	#4@8"o/c E.W.	#5@10"o/c E.W.	#6@12"o/c E.W.	#4, #5, AND #6 OPTIONS ALL STEEL SHOWN IS TO BE PLACED EACH WAY.

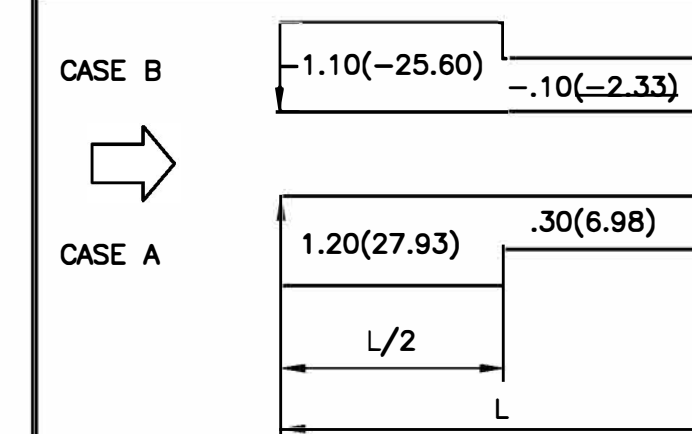


DETAIL

FD1.DWG



NOTE: THIS CANOPY IS DESIGNED PER ASCE 7-10 SEE FIG. 27.4-4. UNBALANCED WIND LOAD.



* CLEAR WIND FLOW

NOTES:

- THESE LOADS HAVE BEEN APPLIED TO STRUCTURE IN ACCORDANCE WITH ASCE 7-10, CHAPTER 2, 2.3.2 BASIC COMBINATIONS FOR ULTIMATE STRENGTH.
- THESE STEEL MEMBERS HAVE BEEN SIZED BASED ON LRFD, AISC 13th EDITION.
- ANALYSIS OF THIS STRUCTURE HAS BEEN ACCOMPLISHED USING THE LATEST GENERATION OF MATRIX BASED SOFTWARE.
- COLUMN SLENDERNESS FACTORS ARE BASED ON TABLE C-C2.1
Kx = 2.1
Kz = 2.1
- BASES ARE FIXED.

STRUCTURE LOADS		PARAMETER	CODE REFERENCE IBC/SBCCI 2012 w/ AMENDMENTS
DEAD LOAD	4.0 PSF		1606.1
LIVE LOAD	20.0 PSF (w/ APP. RED.)		1607.11.2.1
SNOW LOAD	5.0 PSF + DRIFTS		ASCE 7-10, PART 7.0
WIND SPEED	115.0 MPH 3 SEC. GUST	25.3 PSF	ASCE 7, PART 26, 29
	CATEGORY II	lw 1.0	EXP. C
HORIZ. ROOF PRESSURE			
Case A	Cnw	Cnl	Case B Cnw Cnl
1.20(27.93)		.30(6.98)	-1.10(-25.60) -.10(-2.33)
VERT. FASCIA PRESSURE			
Case A & B	Cfx	Cfy	EXP. C
	1.94(49.07)	1.85(46.85)	FIG. 29.4-1
SEISMIC DATA			
2 SEC. SPECTRUM RESPONSE, Ss		0.1700	FIG. 22.1
1 SEC. SPECTRUM RESPONSE, S1		0.0900	FIG. 22.2
LONG PERIOD TRANSITION PERIOD, TI		12	FIG. 22.15
SEISMIC USE GROUP		II	TAB. 11.4-1
SEISMIC FACTOR, Ie		1.00	TAB. 11.5-1
SITE COEFFICIENT, Fg		1.60	TAB. 11.4-1
SITE COEFFICIENT, Fv		2.40	TAB. 11.4-2
SITE CLASSIFICATION		D	TAB. 20.3-1
SITE ADJUSTMENT COEFFICIENT, Sms		0.2720	EQ. 11.4-1
SITE ADJUSTMENT COEFFICIENT, Sm1		0.2160	EQ. 11.4-2
DESIGN SPECTRAL RESPONSE, SDS		0.3000	EQ. 11.4-3
DESIGN SPECTRAL RESPONSE, SD1		0.1800	EQ. 11.4-4
W, Kips		15.39	12.8
	Z	X	
SEISMIC RESPONSE COEFFICIENT, Cs		0.2400	0.2400
BASIC STRUCTURAL SYSTEM - SEISMIC RESISTING SYSTEM			
ORDINARY MOMENT RESISTING FRAMES/CANTILEVERED COL.			
RESPONSE MODIFICATION FACTOR, R		1.25	1.25
METHOD OF ANALYSIS - EQUIVALENT LATERAL FORCE			
	V=CaW		12.8
BASE SHEAR, Kips		4.62	4.62
PREPARED BY: CARTER-MILLER ASSOC., P.O. BOX 4324, MERIDIAN, MS 39301, 601-483-0801			

25' x 115'-6" CANOPY

NO.	DATE:	BY:	CUSTOMER:
1			
2			
3			
SCALE: NOTED			DRAWN:
DATE:			APPROVED BY:
LOCATION:			REVISED:
CERTIFICATION			SHEET 2 OF 3
			DRAWING NO: