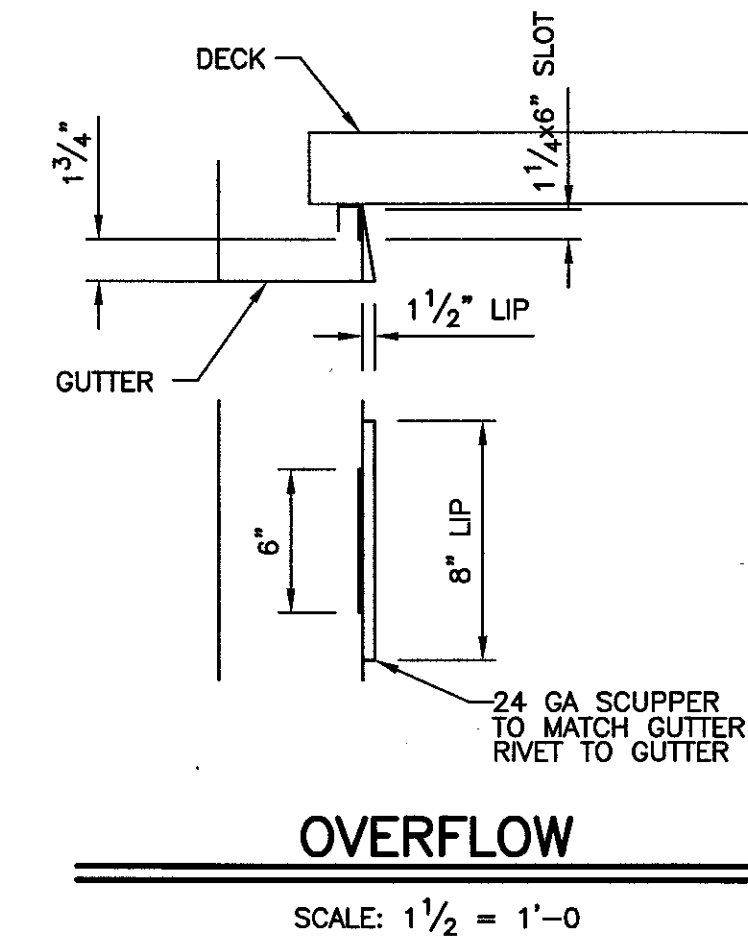
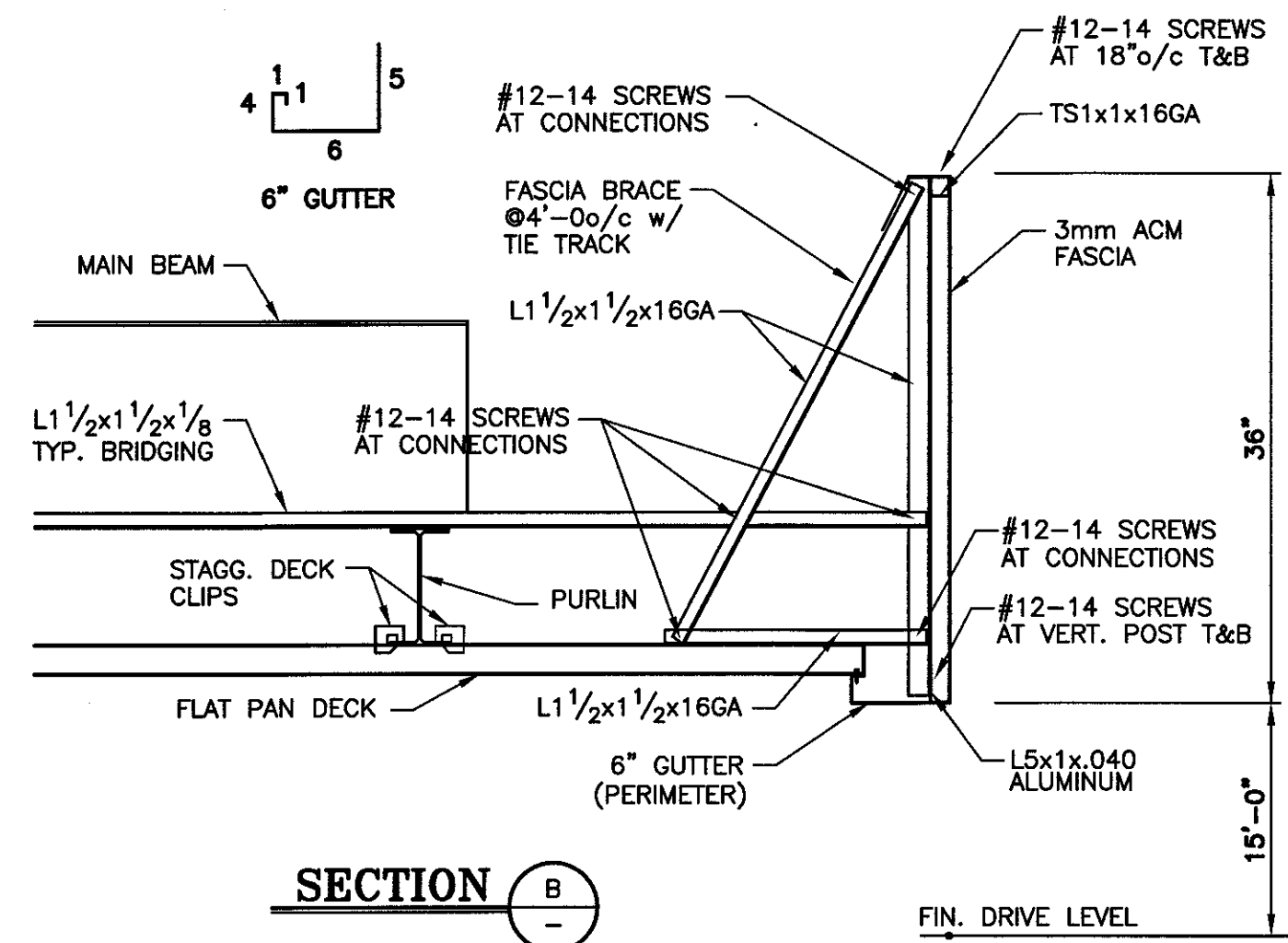
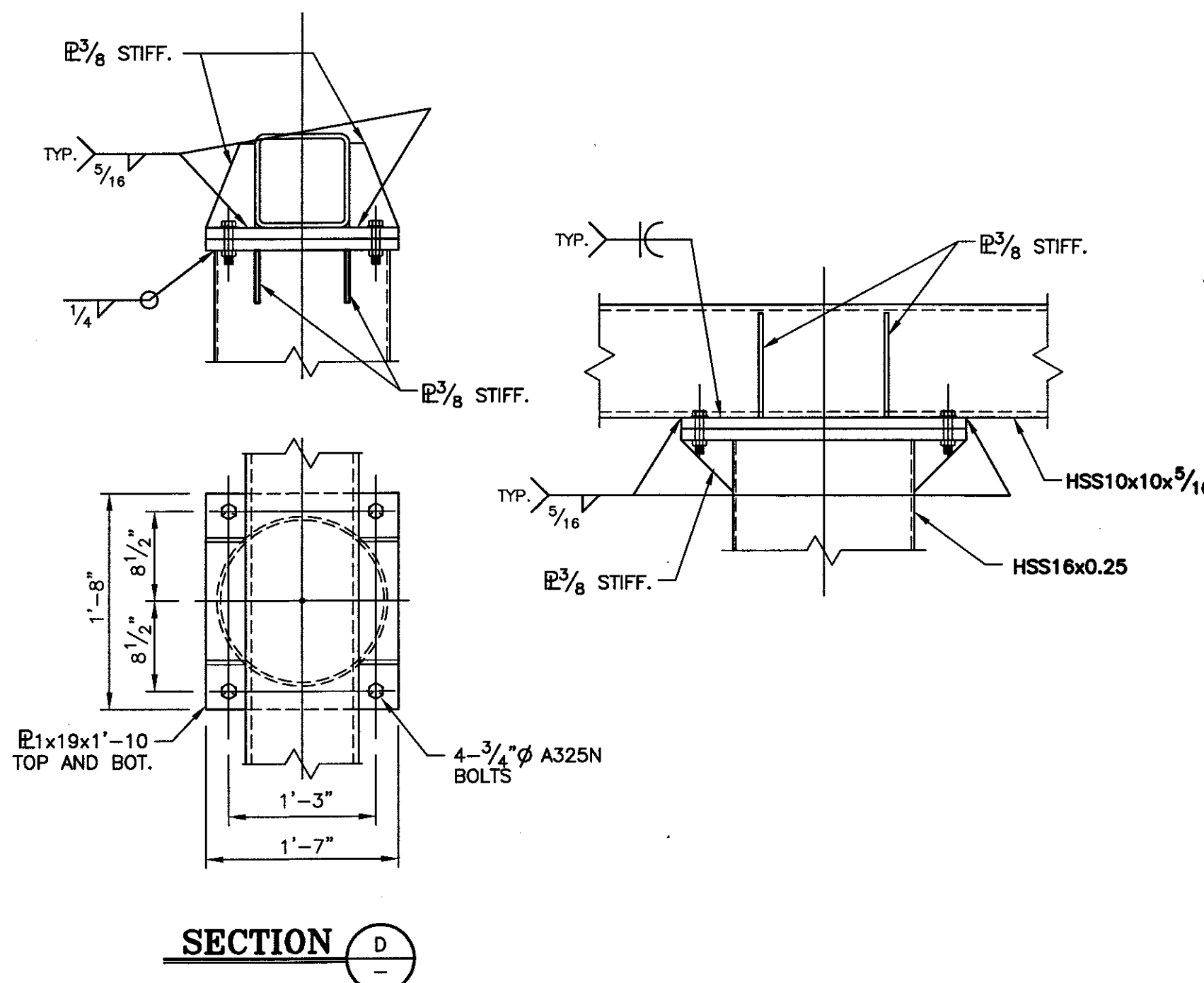
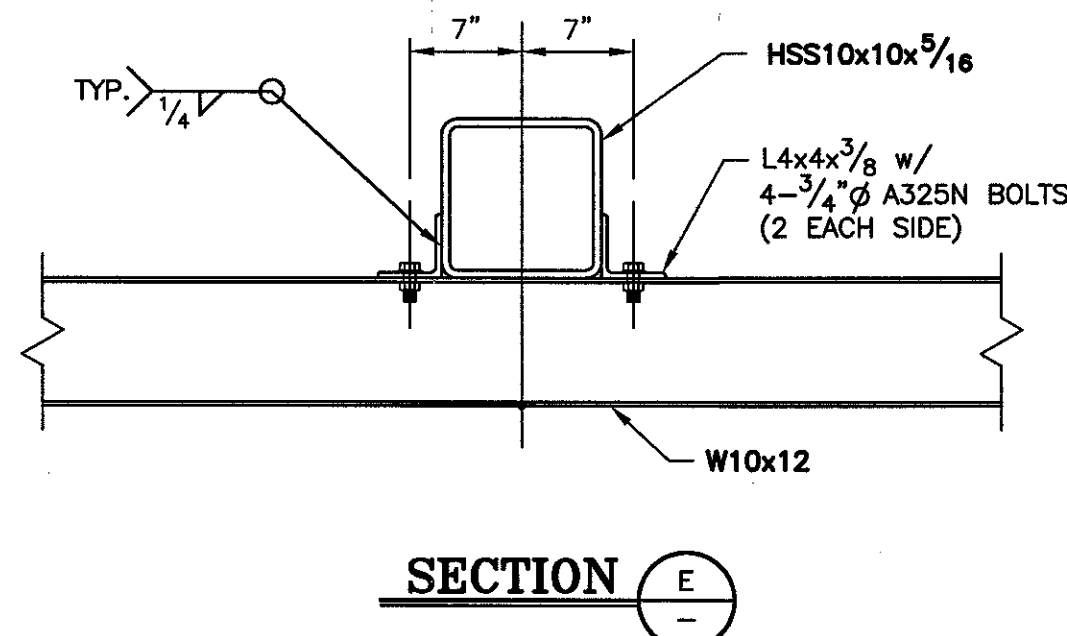
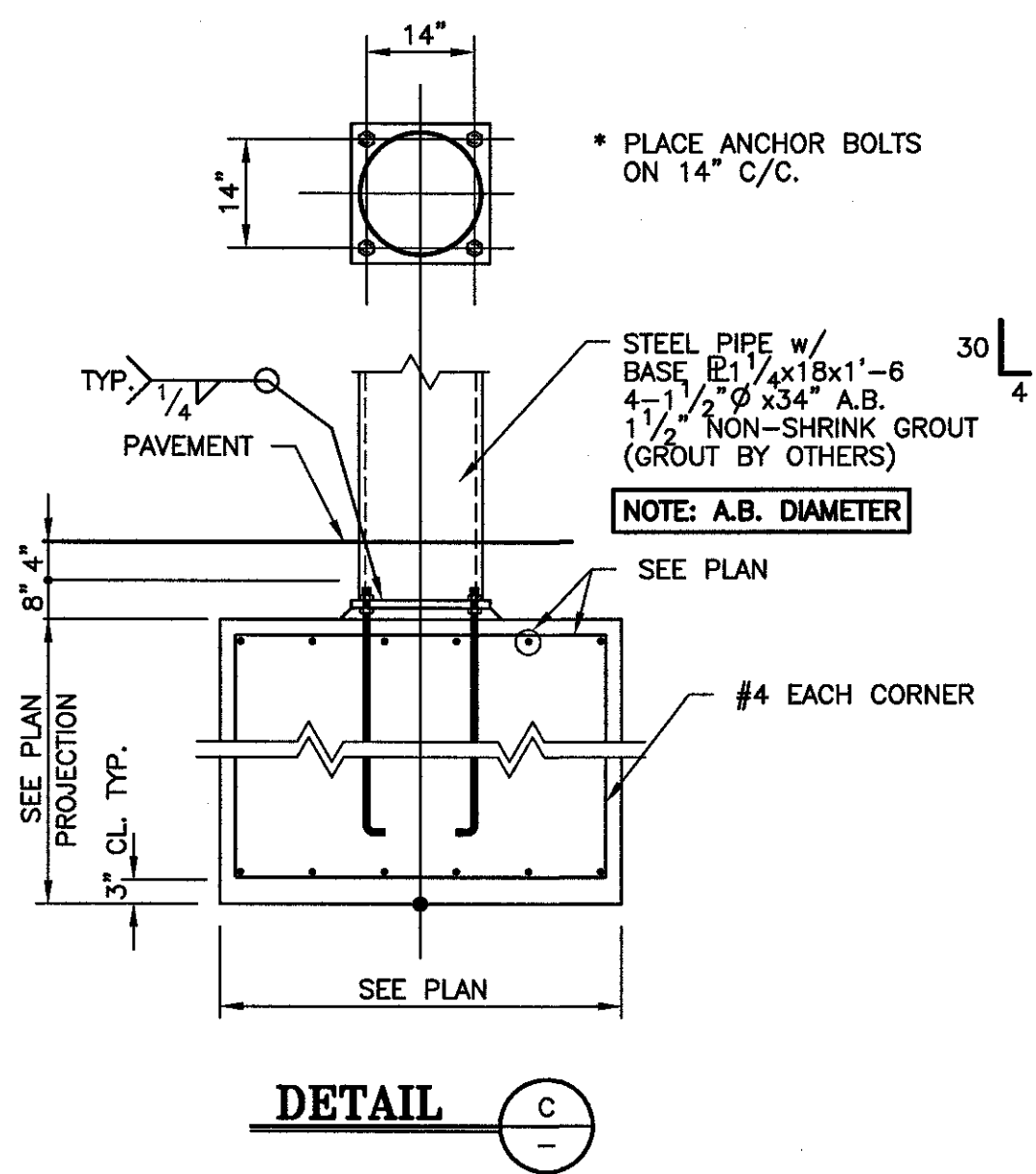
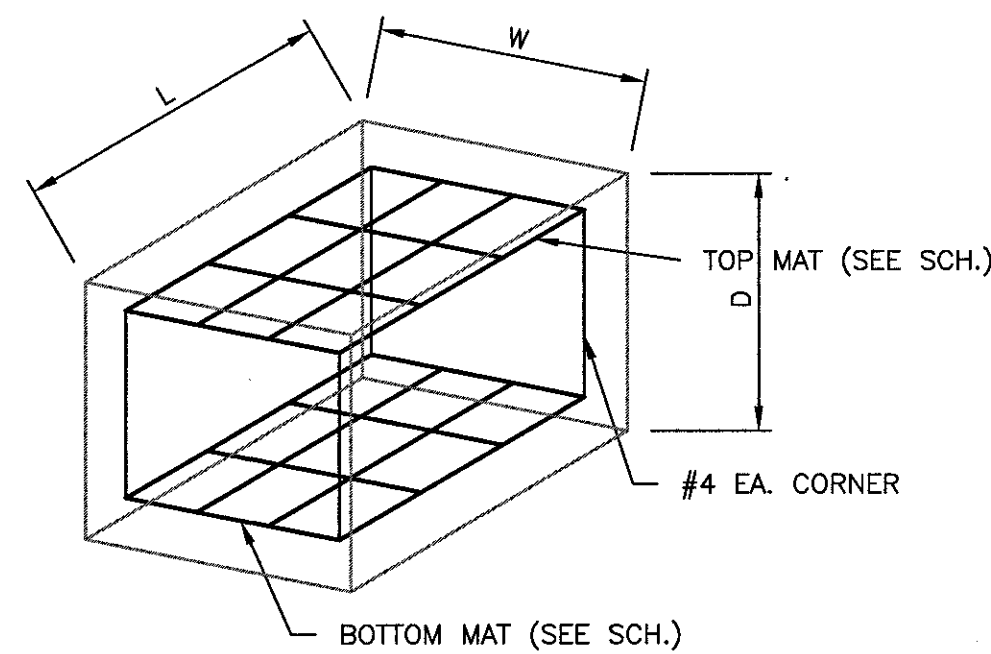


FOOTING SCHEDULE					REMARKS
MARK	DIMENSIONS: LxWxD	#4 STEEL MAT TOP AND BOTTOM	#5 STEEL MAT TOP AND BOTTOM	#6 STEEL MAT TOP AND BOTTOM	
F6	5'-0" x 5'-0" x 6'-0"	#4@8"o/c E.W.	#5@10"o/c E.W.	#6@12"o/c E.W.	#4, #5, AND #6 OPTIONS ALL STEEL SHOWN IS TO BE PLACED EACH WAY.



**GENERAL NOTES**

**FOUNDATIONS:**  
THE SOIL BEARING VALUE SHALL NOT BE LESS THAN 2000 PSF. THE BEARING VALUE SHALL BE VERIFIED BY THE G.C. FOOTINGS SHALL BEAR IN UNDISTURBED SOIL. ALL 1/FOOT. ELEVATIONS ARE TO BE THE SAME, UNLESS SHOWN OTHERWISE. IF ELEVATIONS ARE NOT THE SAME, SHADY VENT MUST BE INSTRUCTED OF ELEVATIONS IN WRITING WHEN CANOPY ORDER IS PLACED. FOOTINGS DESIGN COMPLIES W/ACI-318.

**REINFORCING STEEL:**  
ALL DEFORMED BARS SHALL COMPLY W/ASTM A615 Fy=60 AND SHALL BE WIRE TIED AT ALL JOINTS. RUSTY, OILY, OR DIRTY STEEL SHALL NOT BE USED.

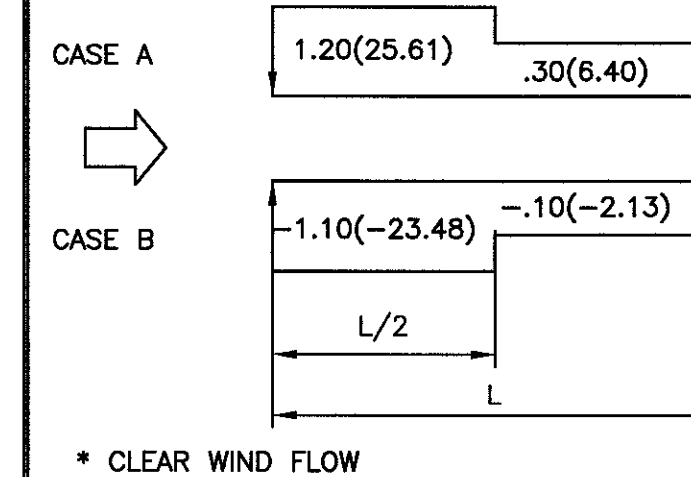
**ANCHOR BOLTS:**  
ANCHOR BOLTS MUST BE INSTALLED WITH A TEMPLATE AND WITHIN 1/8-INCH OF MEASUREMENTS OF THE BASE PLATE OR COLUMN WILL NOT FIT. CONCRETE CONTRACTOR IS RESPONSIBLE FOR RECESSING FOOTING 2 - INCHES BELOW FINISH GRADE AND FOR EXTENDING ANCHOR BOLTS 8 - INCHES ABOVE FOOTINGS IN ORDER FOR CANOPY TO ERECT PROPERLY. ANCHOR BOLTS SHALL BE ASTM F1554 GRADE 36.

**CONCRETE:**  
ALL CONCRETE SHALL BE 3000 PSI IN 28 DAYS. ALL CONC. SHALL BE PLACED IN ACCORDANCE WITH ACI-318.

**STRUCTURAL STEEL:**  
ALL STRUCTURAL STEEL SHALL BE IN ACCORDANCE WITH AISC SPECIFICATIONS. W-SHAPES SHALL BE ASTM A992. MISCELLANEOUS STEEL, PLATES, ANGLES, AND CHANNELS ARE TO BE ASTM A36. HSS SHAPES SHALL BE ASTM A500 GR. C. PROOF OF WELDERS CERTIFICATION SHALL BE AVAILABLE ON REQUEST. ALL BOLTS SHALL BE IN ACCORDANCE W/ASTM A325.

**OTHER CONCRETE ITEMS:**  
OTHER CONCRETE ITEMS SUCH AS DRIVE THRU SLAB, BUILDING SLAB, PERIMETER FOOTING, AND LOAD BEARING FOOTINGS NOT USED FOR THE CANOPY ARE TO BE AT THE SAME ELEVATION UNLESS SHOWN OTHERWISE. IF ELEVATIONS ARE TO VARY, SHADY VENT MUST BE INSTRUCTED OF ELEVATIONS IN WRITING WHEN ORDER IS PLACED.

NOTE: THIS CANOPY IS DESIGNED PER ASCE 7-16 SEE FIG. 27.3-4, UNBALANCED WIND LOAD



- NOTES:**
1. THESE LOADS HAVE BEEN APPLIED TO STRUCTURE IN ACCORDANCE WITH ASCE 7-16, CHAPTER 2, 2.4.1 BASIC COMBINATIONS FOR ALLOWABLE STRESS
  2. THESE STEEL MEMBERS HAVE BEEN SIZED BASED ON ASD, AISC 14th EDITION.
  3. ANALYSIS OF THIS STRUCTURE HAS BEEN ACCOMPLISHED USING THE LATEST GENERATION OF MATRIX BASED SOFTWARE.
  4. COLUMN SLENDERNESS FACTORS ARE BASED ON CHAPTER C, DIRECT ANALYSIS METHOD.  
Kx = 1.0  
Kz = 1.0
  5. BASES ARE FIXED.

STRUCTURE LOADS		PARAMETER		CODE REFERENCE
				IBC 2018 w/ AMENDMENTS
DEAD LOAD	4.0 PSF			1606.1
LIVE LOAD	20.0 PSF (w/ APP. RED.)			1607.12.2.1
SNOW LOAD	5.0 PSF + DRIFTS			ASCE 7-16, PART 7.0
WIND SPEED	110.0 MPH 3 SEC. GUST	23.2 PSF		ASCE 7, PART 26-29
	CATEGORY II	lw 1.0	EXP. C	
VERT. ROOF PRESSURE				ASCE 7, FIG. 27.3-4
Case A	Cnw Cnl	Case B	Cnw Cnl	
1.20(25.61)	.30(6.40)	-1.10(-23.48)	-.10(-2.13)	
HORIZ. FASCIA PRESSURE				ASCE 7, FIG. 29.3-1
Case A & B	Cfx	Cfx		
	1.85(42.89)	1.85(42.89)		
SEISMIC DATA				ASCE 7-16
.2 SEC. SPECTRUM RESPONSE, Ss		0.2200		FIG. 22.1
1 SEC. SPECTRUM RESPONSE, S1		0.0900		FIG. 22.2
LONG PERIOD TRANSITION PERIOD, Tl		12		FIG. 22-14
RISK CATEGORY		II		TAB. 1.5-1
SEISMIC FACTOR, Ie		1.00		TAB. 1.5-2
SITE COEFFICIENT, Fp		1.60		TAB. 11.4-1
SITE COEFFICIENT, Fv		2.40		TAB. 11.4-2
SITE CLASSIFICATION		D		TAB. 20.3-1
SITE ADJUSTMENT COEFFICIENT, Sms		0.3520		EQ. 11.4-1
SITE ADJUSTMENT COEFFICIENT, Sm1		0.2160		EQ. 11.4-2
DESIGN SPECTRAL RESPONSE, SDS		0.2348		EQ. 11.4-3
DESIGN SPECTRAL RESPONSE, SD1		0.1441		EQ. 11.4-4
W, Kips		03.60		12.8
		Z	X	
SEISMIC RESPONSE COEFFICIENT, Cs		0.1878	0.1878	12.8.1.1
BASIC STRUCTURAL SYSTEM - SEISMIC RESISTING SYSTEM				
ORID. CANT. COL./ORID. CANT. COL.				
RESPONSE MODIFICATION FACTOR, R		1.25	1.25	TAB. 12.2-1
METHOD OF ANALYSIS - EQUIVALENT LATERAL FORCE		V=CqW		12.8
BASE SHEAR, Kips		.85	.85	EQ. 12.8-1

24'x24' CANOPY

MANUFACTURER:		<b>SHADY VENT</b>	
315 2ND ST / CEDARTOWN, GA 30125		PHONE: 1-(770) 943-5977	
CUSTOMER:			
SCALE: NOTED	DATE:	DRAWN:	REVISOR:
LOCATION:	APPROVED BY:		
DRAWING NO.:			

NO.	DATE:	BY:
1		
2		
3		

CERTIFICATION